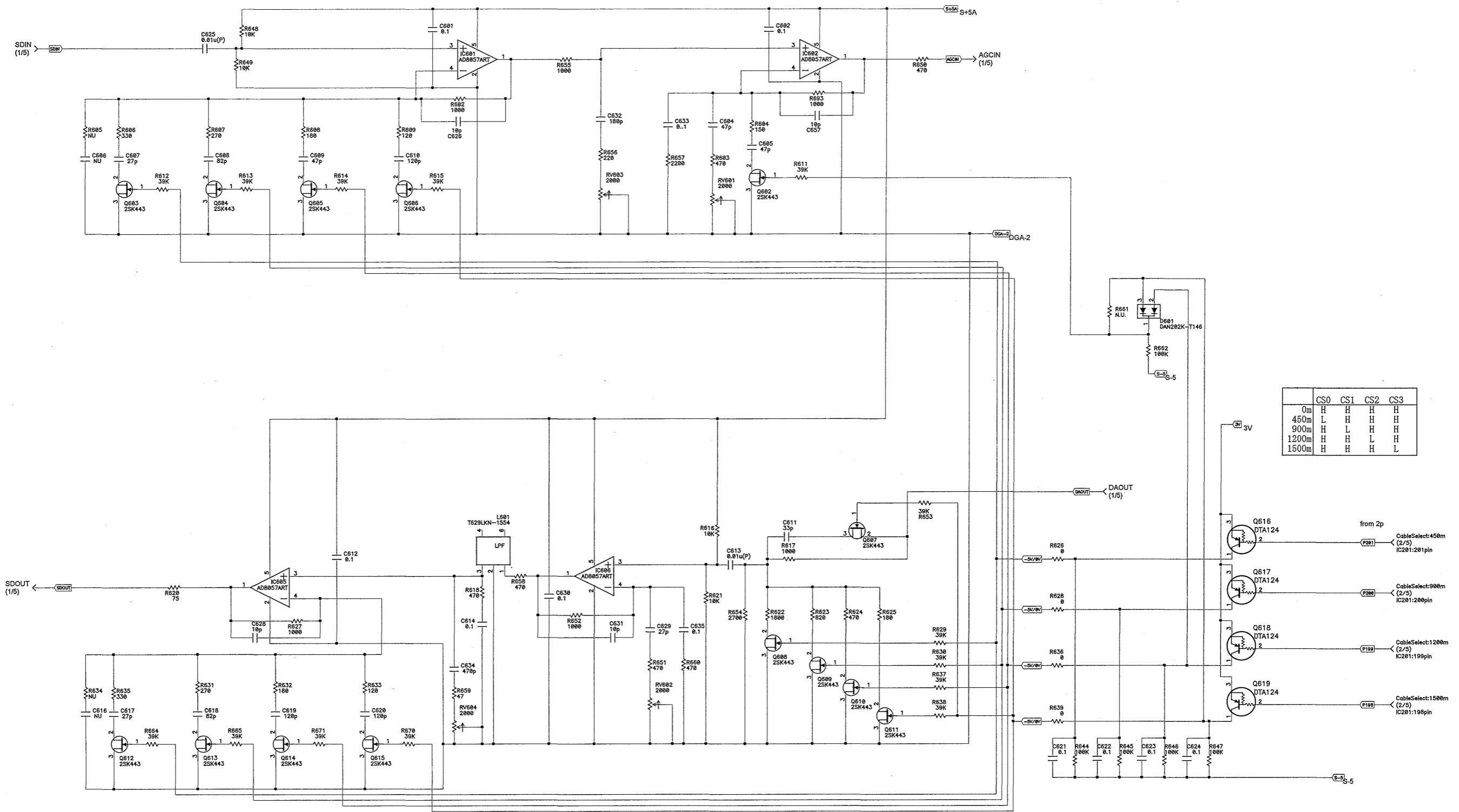
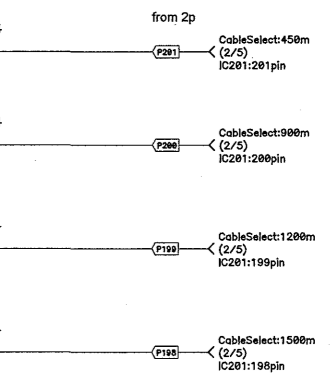


N.U. : Not Used

TU-Z3A
TU-PWR/INCOM UNIT(INCOM)
SCHEMATIC DIAGRAM(3/5)

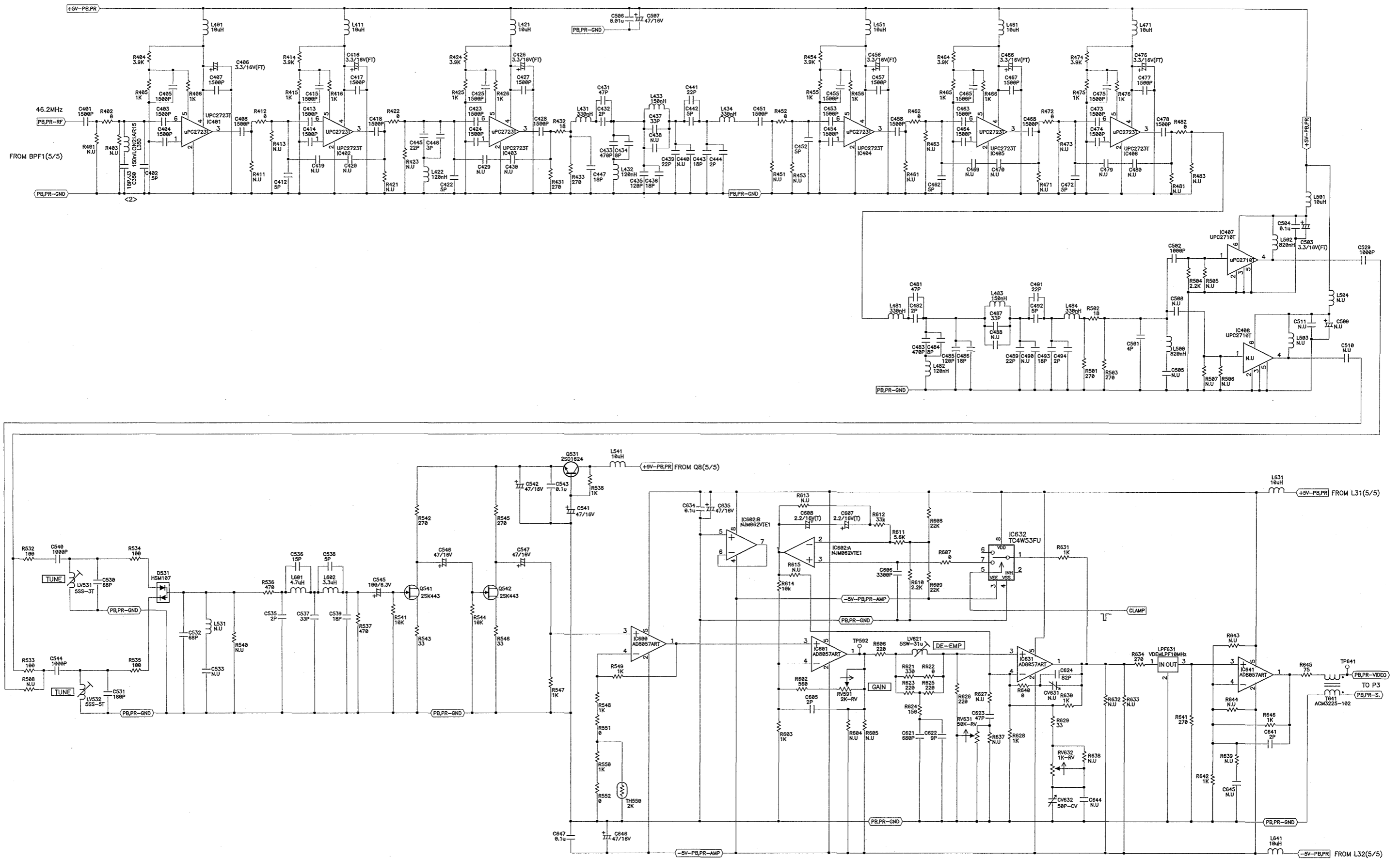


	CS0	CS1	CS2	CS3
0m	H	H	H	H
450m	L	H	H	H
900m	H	L	H	H
1200m	H	H	L	H
1500m	H	H	H	L



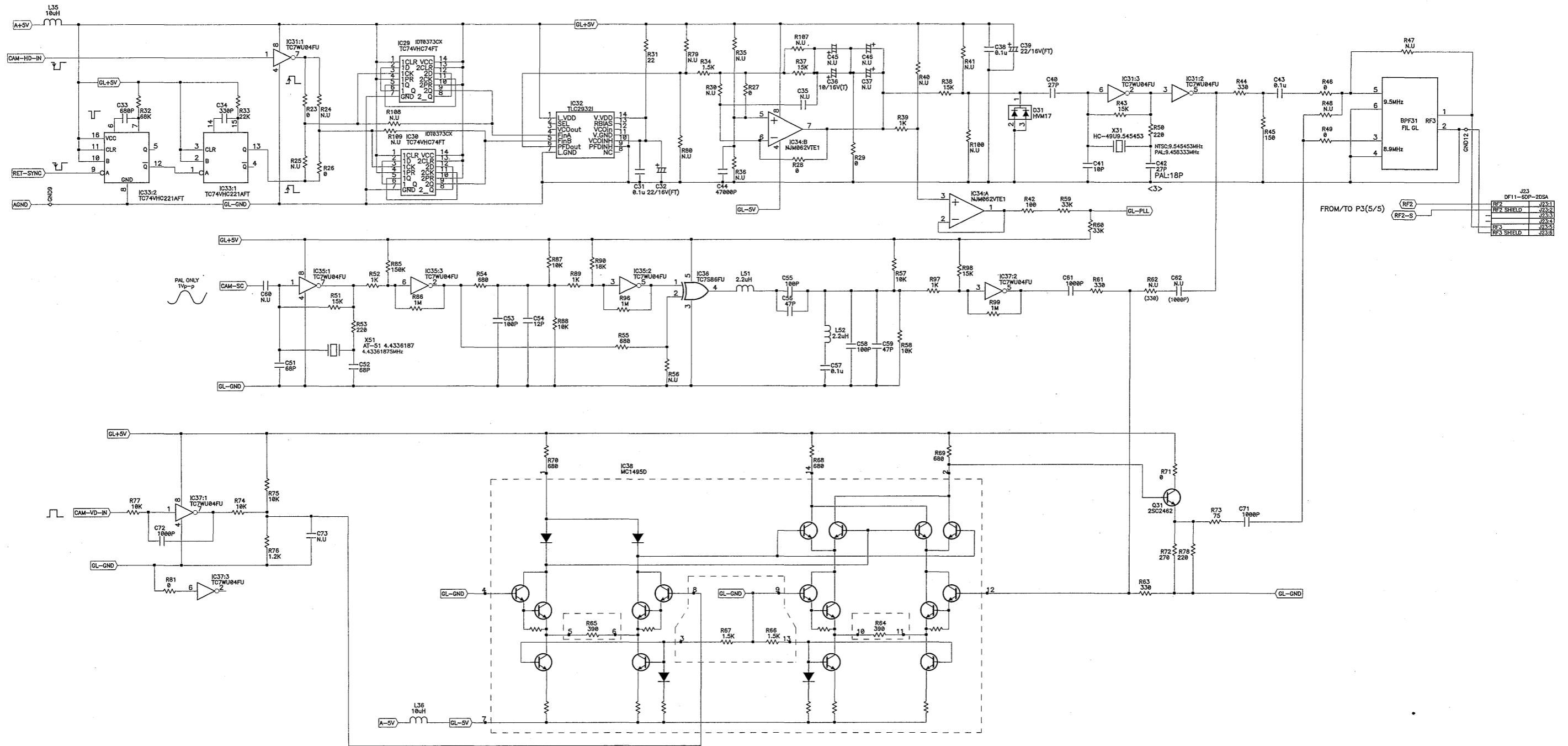
N.U. : Not Used

TU-Z3A
TU-PWR/INCOM UNIT(INCOM)
SCHEMATIC DIAGRAM(5/5)



N,U:Not used

TU-Z3A
DU-MOD/DEM UNIT
SCHEMATIC DIAGRAM(2/5)



J23	
DF11-60P-205A	C4
RF2	J23:1
RF2 SHIELD	J23:2
RF3	J23:3
RF3 SHIELD	J23:4
RF4	J23:5
RF4 SHIELD	J23:6
RF5	J23:7
RF5 SHIELD	J23:8

N.U: Not used

TU-Z3A
DU-MOD/DEM UNIT
SCHEMATIC DIAGRAM(3/5)

